

APS1115-40

1.25Gbps BIDI SFP Optical Transceiver 40Km DDM

1. Feature:

- SFP package with single LC/UPC connector
- Single mode, wavelength Tx1550nm / Rx1310nm
- Up to 40Km transmission on SMF
- +3.3V single power supply
- Power supply $\leq 300\text{mA}$
- Hot-swappable input/output device plug.
- LVPECL compatible data input/output interface
- Low EMI and excellent ESD protection
- Laser safety standard IEC-60825 compliant
- Compatible with RoHS
- Compatible with SFF8472
- Compatible with Multisource Agreement (MSA)
- Compatible with Standard IEEE 802.3z



2. Application:

- 1.25Gb/s 1000Base-LX Ethernet
- 1.06 Gb/s Fiber Channel Fiber

3. Absolute Maximum Ratings:

Parameter	Symbol	Minimum	Maximum	Units
Storage Temperature	Tst	-40	+85	°C
Supply Voltage	Vcc	3.135	+3.5	V
Operating Humidity	Relative RH	5	95	%

4. Operation Environment:

Parameter	Symbol	Min	Typical	Max	Units
Supply Voltage	Vcc	3.135	3.3	3.5	V
Operating Case Temperature	Tc	0		+70	°C
Power Dissipation				1	W
Data Rate			1.25		Gbps



5. Optical Characteristics:

(Ambient Operating Temperature 0°C to +70°C, Vcc = 3.3 V)

Parameter		Symbol	Min.	Typ.	Max.	Units
Transmitter Section						
Center Wavelength	Tx 1550	λ_o	1540	1550	1560	
Spectral Width (RMS)	Tx 1550	$\Delta\lambda$			1	
Average Output Power	Tx 1550	Po	-5	-	3	
Extinction Ratio		Er	8	-		dB
Rise/Fall Time (20%~80%)		Tr/Tf			300	ps
Total jitter		Tj			0.43	UI
Optical Eye Diagram		IEEE 802.3z and ANSI Fibre Channel Compatible				
Receiver Section						
Center Wavelength	Rx 1310	λ_o	1260	1310	1360	
Receiver Sensitivity		Rsen			-24	dBm
Receiver Overload		Rov	-3			dBm
Return Loss			12			dB
LOS Assert		LOS _A	-36			dBm
LOS Dessert		LOS _D			-30	dBm
LOS Hysteresis			0.5		5	

6. Electrical Characteristics:

(Ambient Operating Temperature 0°C to +70°C, V_{cc} =3.3 V)

Parameter	Symbol	Min.	Typ.	Max.	unit
Transmitter Section					
Input Differential Impedence	Z _{in}	90	100	110	Ohm
Data Input Swing Differential	V _{in}	500		2400	mV
TX Disable	Disable	2.0		V _{cc}	V
	Enable	0		0.8	V
TX Fault	Assert	2.0		V _{cc}	V
	Deassert	0		0.8	V
Receiver Section					
Output differential impedance	Z _{out}		100		Ohm
Data Input Swing Differential	V _{out}	370		2000	mV
Rx_LOS	Assert	2.0		V _{cc}	V
	Deassert	0		0.8	V

7. EEPROM INFORMATION (A0) :

Addr	Field Size (Bytes)	Name of Field	HEX	Description
0	1	Identifier	03	SFP
1	1	Ext. Identifier	04	MOD4
2	1	Connector	07	LC
3-10	8	Transceiver	00 00 00 02 12 00 0D 01	Transmitter Code
11	1	Encoding	01	
12	1	BR, nominal	0D	1250Mbps
13	1	Reserved	00	
14	1	Length (9um)-km	28	40km
15	1	Length (9um)	64/C8/FF	
16	1	Length (50um)	00	
17	1	Length (62.5um)	00	
18	1	Length (copper)	00	
19	1	Reserved	00	
20-35	16	Vendor name	57 49 4E 54 4F 50 20 20 20 20 20 20 20 20 20 20	
36	1	Reserved	00	
37-39	3	Vendor OUI	00 00 00	



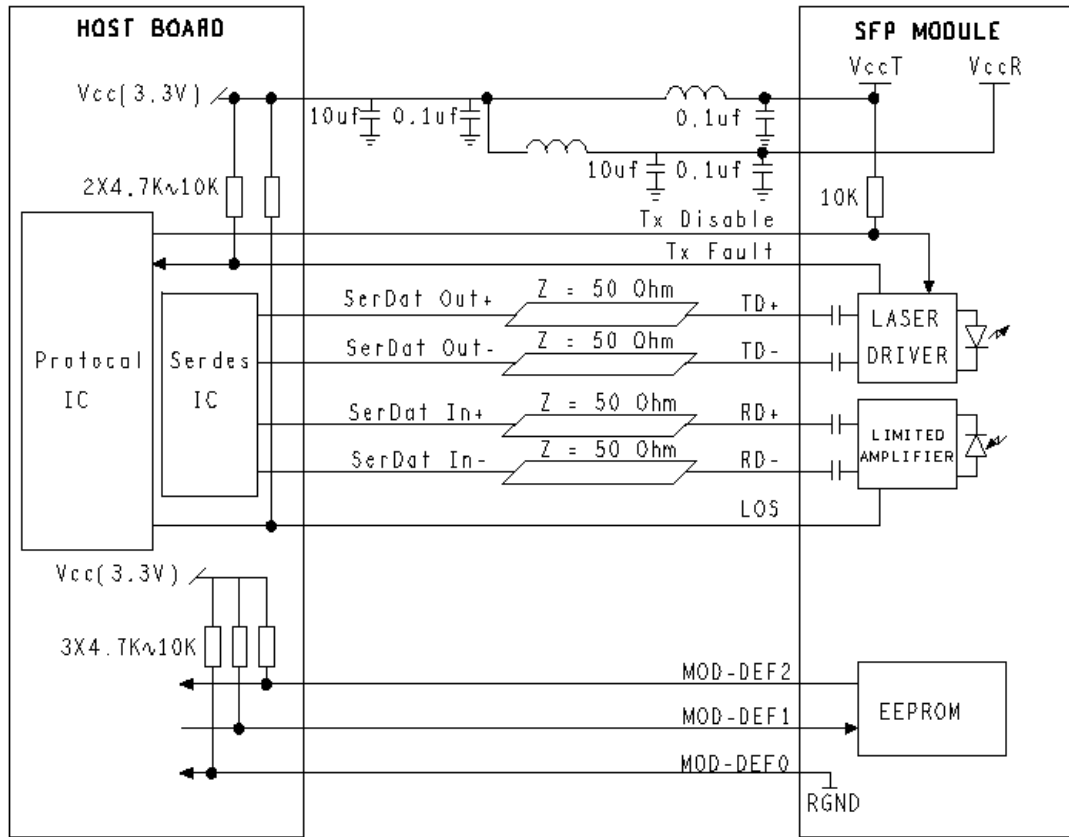
40-55	16	Vendor PN	xx xx xx xx xx xx xx xx xx xx xx xx xx xx xx xx xx xx	ASCII
56-59	4	Vendor rev	31 2E 30 20	V1.0
60-61	2	Wavelength	05 1E/06 0E	1550nm1310nm/
62	1	Reserved	00	
63	1	CC BASE	XX	Check sum of byte 0~62
64-65	2	Options	00 1A	LOS, TX_DISABLE, TX_FAULT
66	1	BR, max	32	50%
67	1	BR, min	32	50%
68-83	16	Vendor SN	00 00 00 00 00 00 00 00 00 00 00 00 00 00 00 00	Unspecified
84-91	8	Vendor date code	XX XX XX 20	Year, Month, Day
92-94	3	Reserved	00	
95	1	CC_EXT	XX	Check sum of byte 64~94
96-255	160	Vendor specific		

8. Diagnostics:

Parameter	Range	Accuracy	Unit	Calibration
Temperature	0 ~ 70	±3	°C	Internal
Voltage	3.135 ~ 3.5	±3%	V	Internal
Bias Current	10 ~ 80	±10%	mA	Internal
Tx Power	-8 ~ 3	±1	dBm	Internal
Rx Power	≤ -3	±1	dBm	Internal



9. Recommended Application Circuit:



10. Outline drawing (mm):

