

RS236-2GF4GT-4POE

6-port POE industrial Ethernet switch, with 2 Gigabit fiber ports and 4 Gigabit POE copper ports



- 2 Gigabit trunk fiber ports and 4 Gigabit POE access copper ports are provided
- The copper ports support 10/100/1000 Mbps self-adaptation; all ports support MDI/MDIX
- Dial switch with one button for VLAN separation, one-button forced service at 10M
- Applicable voltage range DC48~57V, dual redundant power supply
- EMC industrial rating level 4 electromagnetic compatibility standard
- Having IP40rated aluminum enclosure and strong shock-resistant rail base
- Applicable for operation at the ambient temperature of -40°C~85°C



Product profile

RS236-2GF4GT-4POE is an industrial switch with extended temperature ranges developed by Wintop Optical to fulfill needs in industries including smart traffic, expressways, smart cities, safe cities, new energy, smart manufacturing, and so on. The two Gigabit trunk fiber port and four Gigabit access copper ports provide a high packet forwarding rate and an ample back plane bandwidth, making the transmission of images clear and smooth.

Having an IP40 rated aluminum enclosure, a rail base designed to withstand severe vibration, and good EMC electromagnetic compatibility, this series of product is capable of working stably and reliably in extreme-temperature (-40°C to 85°C) and rugged industrial environments.

Product features

- 2 Gigabit fiber ports, 4 Gigabit POE copper ports;
- Capable of working with full load under the temperature of -40 ~ 85 °C;
- The voltage ranges between DC48~57V, and dual redundant power supply is provided;
- IP40-rated protection, fan-free design, shock-resistant aluminum enclosure;
- Dial switch with one button for VLAN separation, one-button forced service at 10M

Product properties

Applicable standards

IEEE 802.3 10BaseT
 IEEE 802.3u 100BaseT
 IEEE 802.3z 1000BaseFX, IEEE 802.3ab 1000BaseT
 IEEE 802.3af/802.3at POE

Switching feature

Back plane bandwidth: 12 Gbps

List of MAC addresses: 2K

Chip buffer size: 12 KByte

Port

Fiber port: 1000 Mbps (port type: LC)

Copper port: 10/100/1000 Mbps self-adaptive, Full/Half duplex mode, MDI/MDI-X supported. Support POE power supply

LED indicator: P1, P2, L/A, POE

Power source requirement

Input voltage: DC48~57V (redundancy)

Full-load power consumption: 5.5W (excluding POE)

Input current Maximum DC current, 400mA

Physical properties

Enclosure: Aluminum enclosure, IP40-rated protection

Size: 116 x 85 x 37 mm

Weight: 430 g

Mounting method: Guide rail type

Environmental restrictions

Working temperature: -40 ~ 85°C (-40 ~ 185°F)

Storage temperature: -40 ~ 85°C (-40 ~ 185°F)

Relative ambient humidity: 5 ~ 95% (non-condensing)

Standards and certification

EMS:

IEC61000-4-2(ESD) level 4, IEC 61000-4-4 (EFT) level 4, IEC 61000-4-5(Surge) level 4

Anti-vibration performance: IEC 60068-2-6

Shock resistance: IEC 60068-2-27

Free fall: IEC 60068-2-32

Note: Please go to the official website of Wintop Optical for the latest certification status.

MTBF (mean time between failures)

Time: 500000 h

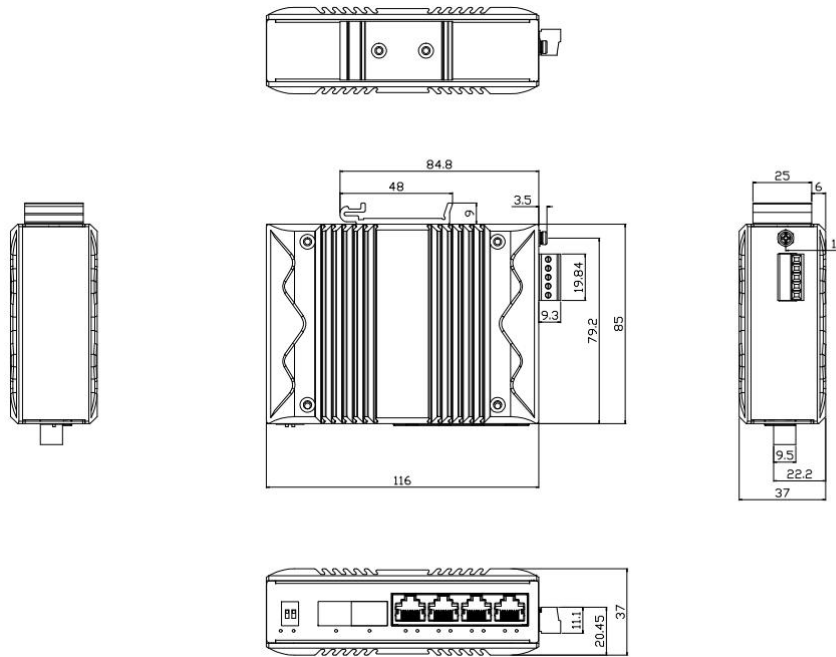
Warranty

Quality assurance: 5 years

Fiber properties

	1000BaseFX	
	Multimode	Single mode
Wavelength	850 nm	1310 /1550nm
Maximum transmission	-3 dBm	0 dBm
Minimum transmission	-8 dBm	-10 dBm
Receiving sensitivity	-19 dBm	-22 dBm
Link budget	11 dB	12 dB
Typical distance	550 m	20 km
Saturation	-3 dBm	-3 dBm

Product size (mm)



Order information

Optical model	Port type			
	10/100BaseT	10/100/1000BaseT	1000BaseFX	
			Single mode	Multimode
RS236-2GF4GT-4POE	-	4	2	

Packing list

- Ethernet switch
- Installation accessories
- User's Manual
- Warranty Card & Conformity Certificate